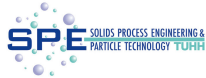




Ling He (Autor)
Fuel Gas Production in a Bubbling Fluidized Bed Biomass Gasifier



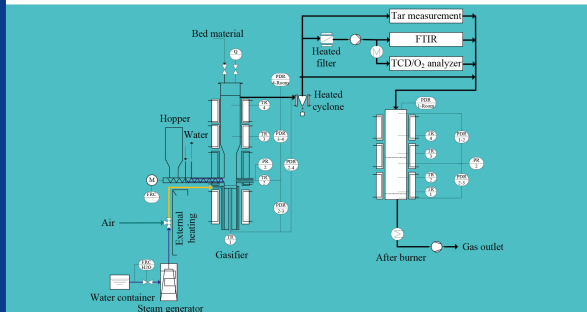
SPE-Schriftenreihe

6

Herausgegeben von Prof. Dr.-Ing. habil. Dr. h.c. Stefan Heinrich

Ling He

Fuel Gas Production in a Bubbling Fluidized Bed Biomass Gasifier



Cuvillier Verlag Göttingen
Internationaler wissenschaftlicher Fachverlag

<https://cuvillier.de/de/shop/publications/7444>

Copyright:

Cuvillier Verlag, Inhaberin Annette Jentsch-Cuvillier, Nonnenstieg 8, 37075 Göttingen, Germany
Telefon: +49 (0)551 54724-0, E-Mail: info@cuvillier.de, Website: <https://cuvillier.de>



Table of Contents

List of Figures.....	I
List of Tables	IV
Nomenclature	VI
1 Introduction.....	1
1.1 Biomass Gasification Technology.....	4
1.2 Objectives and Outline of the Present Work	7
2 Review of Biomass Gasification in Bubbling Fluidized Bed Systems	9
2.1 Operating Parameters	9
2.1.1 Temperature	9
2.1.2 Gasification Agent	13
2.1.3 Fuel Types and Characteristics	16
2.1.4 Bed Material.....	21
2.1.5 Other Parameters.....	24
2.2 Models	27
2.2.1 Equilibrium Models	27
2.2.2 Kinetic Models.....	33
2.2.3 CFD Models.....	40
2.2.4 Artificial Neural Network Models	42
2.2.5 Conclusions.....	43
3 Theory	46
3.1 Design Methodology of a Bubbling Fluidized Bed Reactor	46
3.1.1 Bed Diameter	49
3.1.2 Gasification Agent	50
3.1.3 Superficial Gas Velocity at Fluidized Bed Entry.....	51
3.1.4 Minimum Fluidization Velocity and Mean Particle Size of Bed Material	51
3.1.5 Fixed Bed Height	53
3.1.6 Expanded Bed Height	54
3.1.7 Fuel Particle Size and Solid Mixing.....	59
3.1.8 Freeboard Geometry and Particle Entrainment/Elutriation.....	60
3.1.9 Connection Zone	65
3.1.10 Fuel Feeding Point.....	65
3.2 Design Optimization with Kinetic Modeling	66
3.2.1 Fluid Dynamics	66



3.2.2	Reaction Kinetics	67
3.2.2.1	Drying and Devolatilization	67
3.2.2.2	Combustion of Light Gases	70
3.2.2.3	Char Combustion and Gasification.....	72
3.2.2.4	Water-Gas Shift Reaction.....	78
3.2.2.5	Steam Methane Reforming (SMR).....	80
3.2.2.6	Tar Conversion	80
3.2.3	Mass and Energy Balance	84
3.2.3.1	Mass Balance	85
3.2.3.2	Energy Balance.....	88
3.2.4	Model Algorithm.....	91
4	Experimental Set-up	93
4.1	Test Facility	93
4.2	Materials	105
4.2.1	Fuels	105
4.2.2	Bed Materials	110
4.3	Experimental Plan	114
4.4	Operating Procedure	120
5	Experimental Results.....	122
5.1	Data Evaluation	122
5.2	Influence of Temperature	124
5.3	Influence of Gasification Agent	129
5.4	Influence of Fuel Type and Fuel Additives	134
5.5	Influence of Bed Material.....	144
5.6	Influence of Other Operating Parameters.....	148
6	Model Validation.....	154
6.1	Validation with Experimental Results from a Laboratory-scale Bubbling Fluidized Bed Biomass Gasifier (2.5 kW _{th})	156
6.2	Validation with Experimental Results from a Pilot-scale Bubbling Fluidized Bed Biomass Gasifier (150 kW _{th})	160
6.3	Validation with Experimental Results from a Demonstration-scale Bubbling Fluidized Bed Biomass Gasifier (800 kW _{th})	164
7	Design and Simulation of a Demonstration-scale Bubbling Fluidized Bed Gasifier for Rice Husks	168
7.1	Fuel Input and Properties.....	168
7.2	Reactor Design	169



7.3	Simulation and Evaluation	179
8	Conclusions	183
9	References	187
Appendix A: Characteristics of Binary and Ternary Fuels.....		204
A.1	Characteristics of binary fuel: mixture of wood (W) and straw (S)	204
A.2	Characteristics of binary fuel: mixture of wood (W) and miscanthus (M)	205
A.3	Characteristics of binary fuel: mixture of miscanthus (M) and straw (S)	206
A.4	Characteristics of ternary fuel	207
A.5	Characteristics of fuels with and without additives.....	208
Appendix B: Feeder Calibration Curves of Mixed Fuels.....		209
B.1	Mass flow rate as a function of the screw speed for mixture of wood (W) and miscanthus (M)	209
B.2	Mass flow rate as a function of the screw speed for mixture of wood (W) and straw (S).....	209
B.3	Mass flow rate as a function of the screw speed for mixture of miscanthus (M) and straw (S).....	210
B.4	Mass flow rate as a function of the screw speed for ternary fuels	210
B.5	Mass flow rate as a function of the screw speed for fuels with additives	211